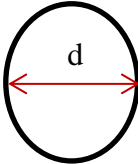
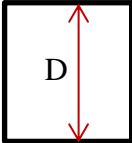
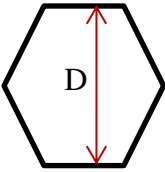
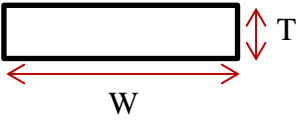


Shape Weight Formulas

Rounds		Diameter (in ²) * 2.67 = lbs / foot
Squares		Dimension (in ²) * 3.40 = lbs / foot
Hexagons		Dimension (in ²) * 2.9473 = lbs / foot
Flats		Thickness (in) * width (in) * 3.40 = lbs / foot